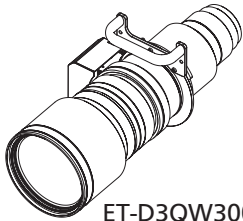
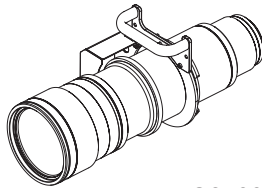


Operating Instructions

Zoom lens **Commercial Use**

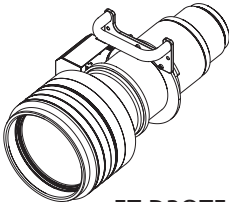


ET-D3QW300

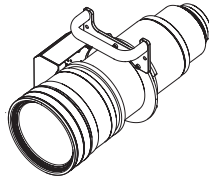


ET-D3QS400

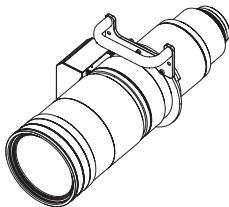
Model No. ET-D3QW300
ET-D3QS400
ET-D3QT500
ET-D3QT600
ET-D3QT700
ET-D3QT800



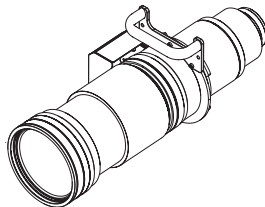
ET-D3QT500



ET-D3QT600



ET-D3QT700



ET-D3QT800

ENGLISH

FRANÇAIS

日本語

Thank you for purchasing this Panasonic product.

- To ensure correct use of this lens, please read the operating instructions supplied with the lens and the projector carefully.
- **Before using this product, be sure to read “Read this first!” (▶ Page 3).**
- Please save this manual for future use.

Contents

| | |
|---|---------------------------------|
| Read this first! | 3 |
| Before Use | 4 |
| Preparation | 4 |
| Before replacing the projection lens | 4 |
| Attaching and Detaching the Lens | 4 |
| Peripheral focus adjustment function | 5 |
| Lens calibration | 6 |
| Projection relationships | 7 |
| Lens shift ranges | 8 |
| Specifications | 9 |
| Dimensions | 10 |
| Projected image size and Projection distance | Appendix / Annexe / 付録 1 |
| The "Appendix" can be found after the Japanese language section (日本語). | |

WARNING:

Do not look at or place your skin into the light emitted from the lens while the projector is being used.

Doing so can cause burns or loss of sight.

- Strong light is emitted from the projector's lens. Do not look at or place your hands directly into this light.
- Turn off the power when moving away from the projection lens or projector.

Do not project an image with the lens cover attached.

- Doing so can cause fire.

CAUTION:

Before replacing the projection lens, be sure to turn off the power and disconnect the power plug from the wall outlet.

- Unexpected projection of light may cause injury to eyes.
- Replacing the projection lens without removing the power plug may result in electric shock.

Do not stand in front of the lens while the projector is being used.

Doing so can cause damage and burns to clothing.

- Strong light is emitted from the projector's lens.

Do not place objects in front of the lens while the projector is being used.

Doing so can cause fire, damage to the object, or malfunction of the lens and projector.

- Strong light is emitted from the projector's lens.

Do not open the desiccant bag. Do not eat the contents.

Inadvertently ingesting desiccant could be harmful.

- If the desiccant gets into your eyes or mouth, immediately rinse with plenty of water and seek medical attention.
- Keep desiccant out of the reach of children.

Before Use

This zoom lens is a projection lens equipped with an EEPROM^{*1} and stepping motor.

*1 EEPROM: Electrically erasable programmable read-only memory

Supported projectors

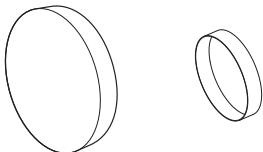
PT-RQ50K

Note

- Some of the alphabet letters at the end of projector model numbers may be omitted in this manual.
- Models other than the above may also be supported. Refer to the operating instructions for your projector or the website (<https://docs.connect.panasonic.com/projector>).

Supplied Accessories

Make sure that the following has been provided.

| Part name | Appearance |
|------------|--|
| Lens cover |  <ul style="list-style-type: none">● The product is delivered with lens covers attached.● The shape and size of the lens covers are different for each product. <p>1 each for front and rear</p> |

Preparation

Before replacing the projection lens

Return the projection lens to the home position before replacing or removing it. For details on how to return the lens to the home position, refer to the operating instructions of the projector.

Attention

- Make sure that the projector power supply is switched off before attaching or detaching the projection lens.
- After removing the projection lens, store it safely away from vibration or impacts.
- Do not touch the electrical contacts of the projection lens with your fingers. Dust and dirt on the contacts may cause contact malfunctions, while static electricity may damage the unit.
- Do not touch the surface of the lens with bare hands. Finger prints and dirt on the surface of the lens will be magnified by the lens and lower the quality of the projected image. Place the supplied lens cover on the zoom lens when the projector is not in use.
- The lens is made of glass. The lens could be damaged if brought into contact with or rubbed against hard objects. Handle the lens carefully.
- Use a clean, soft and dry cloth to wipe away dust and dirt from the projection lens. Do not use fluffy cloths containing oil, water or dust for cleaning. The lens is easily damaged, so do not apply excessive pressure when wiping it.

Attaching and Detaching the Lens

For details on attaching and detaching the projection lens, refer to the operating instructions of the projector.

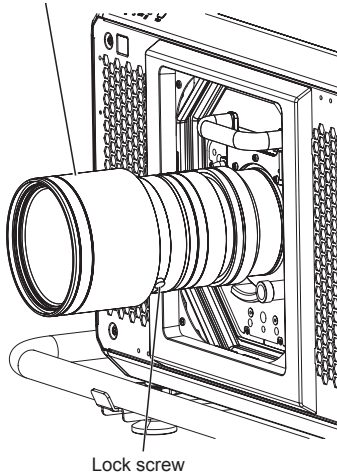
Preparation (continued)

Peripheral focus adjustment function

When you change the size of the projected image, the focal balance between the center and peripheral areas of the screen may shift. This shift in balance tends to increase proportionally with smaller throw ratios.

The ET-D3QW300 / ET-D3QS400 / ET-D3QT500 is equipped with a peripheral focus adjustment function to correct the shift in focal balance between the center and peripheral areas of the screen.

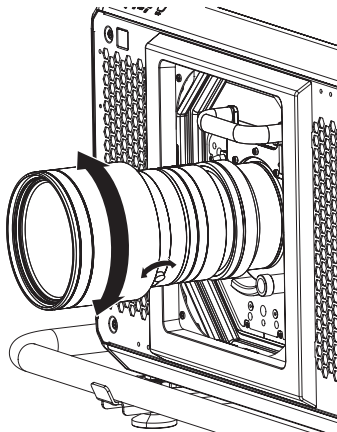
Peripheral focus adjustment ring



The illustrations in this procedure depict attachment of the ET-D3QW300 onto the PT-RQ50K.

- The structure of the peripheral focus adjustment part differs depending on the projection lens type.

■ Adjusting the focus



- 1) Loosen the lock screw by turning it counterclockwise.
- 2) Turn the lens barrel tip or peripheral focus adjustment ring in the direction of the arrow to match the projection distance displayed on the lens to the actual distance from the lens to the screen.
- 3) Tighten the lock screw by turning it clockwise.
- 4) Operate the projector to align the focus of the center of the projected image.

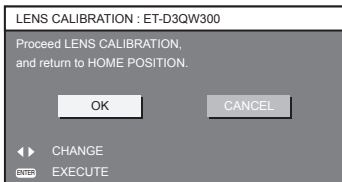
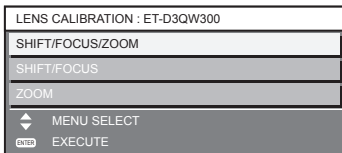
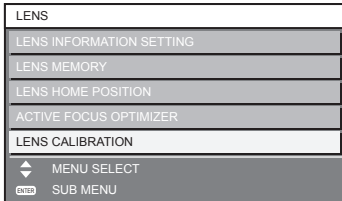
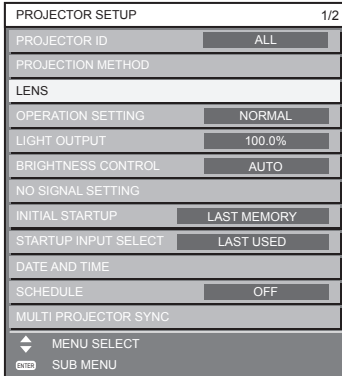
Note

- The projection distances displayed on the lens are approximate guides.

Preparation (continued)

Lens calibration

Perform lens calibration after attaching the lens.



The illustrations in this procedure depict use of the ET-D3QW300 as an example.

- 1) Press the **<MENU>** button.
- 2) Use the **▲** and **▼** buttons to select **[PROJECTOR SETUP]**, and press the **<ENTER>** button.
 - The [PROJECTOR SETUP] screen appears.
- 3) Use the **▲** and **▼** buttons to select **[LENS]**, and press the **<ENTER>** button.
 - The [LENS] screen appears.
- 4) Use the **▲** and **▼** buttons to select **[LENS CALIBRATION]**, and press the **<ENTER>** button.
 - The [LENS CALIBRATION] screen appears.
- 5) Use the **▲** and **▼** buttons to select **[SHIFT/FOCUS/ZOOM]**, and press the **<ENTER>** button.
 - The confirmation screen appears.
- 6) Use the **◀** and **▶** buttons to select **[OK]**, and press the **<ENTER>** button.
 - Lens calibration starts.
 - The projection lens moves to the home position after adjustment range calibration is complete.

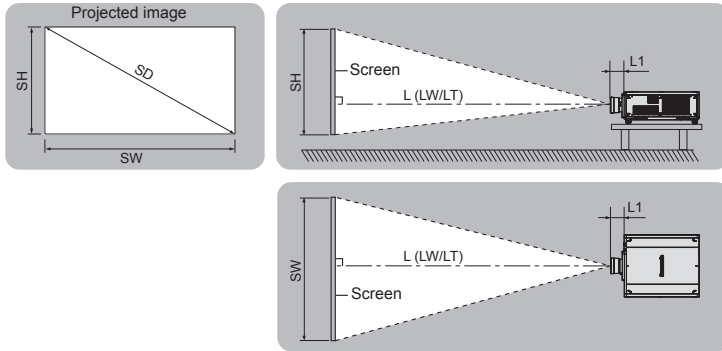
Note

- If lens calibration is not performed, the available zoom range will be narrowed.

Projection relationships

The dimensional relationship between the screen and the projector is shown below.

Dimensional relationship diagram



Note

- This diagram assumes that the size and position of the projected image will be adjusted so that the image fills the entire screen.
- This illustration is not drawn to scale.

| | | |
|----|----|---------------------------|
| L | LW | Projection distance |
| | LT | Minimum distance |
| | | Maximum distance |
| L1 | | Lens protrusion dimension |
| SH | | Projected image height |
| SW | | Projected image width |
| SD | | Projected image size |

Dimension for L1 (approximate values)

(Unit: m)

| ET-D3QW300 | ET-D3QS400 | ET-D3QT500 | ET-D3QT600 | ET-D3QT700 | ET-D3QT800 |
|------------|------------|------------|------------|------------|------------|
| 0.246 | 0.232 | 0.208 | 0.149 | 0.221 | 0.267 |

Note

- The illustrations of projectors in this manual are for informational purposes only and do not represent a specific projector model. Configurations may vary with the model.

Attention

- To prevent obstruction of the intake and exhaust vents, install the projector with a clearance at least 500 mm (1 ft. 7 in.) from walls and objects.
If you are installing the projector in a sealed space, be sure to provide additional air conditioning equipment and ventilation equipment. Insufficient ventilation will result in an accumulation of heat and may activate the projector's protection circuit.
- Avoid setting up in places which are subject to sudden temperature changes, such as near an air conditioner or lighting equipment (studio lamps, etc.).

Dimensional relationship

For details on the projection distance (L), refer to "Projected image size and Projection distance" and "Projection distance formulas" in the Appendix.

Lens shift ranges

After moving the lens to the home position according to “Lens calibration” on page 6, you can use the lens shift adjustment function on the projector to adjust the position of the projected image within the respective lens shift ranges based on the optical screen center position (standard projection position). The optical screen center position is the screen position using the optical center of the projector as the base.

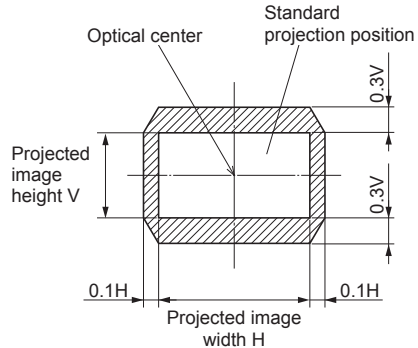
Perform lens shift adjustment within the ranges shown in the following illustrations. Moving the lens outside of the adjustment ranges may alter the focus. This occurs due to limitations in lens movement that are intended to protect the optical components.

The following illustrations depict lens shift ranges for floor installations of the projector.

| | |
|--------------------------------|--|
| <p>ET-D3QW300</p> | <p>Optical center Standard projection position</p> <p>Projected image height V</p> <p>Projected image width H</p> <p>$0.14H$ $0.14H$</p> <p>$0.4V$ $0.4V$</p> |
| <p>ET-D3QS400 / ET-D3QT500</p> | <p>Optical center Standard projection position</p> <p>Projected image height V</p> <p>Projected image width H</p> <p>$0.16H$ $0.16H$</p> <p>$0.45V$ $0.45V$</p> |
| <p>ET-D3QT600</p> | <p>Optical center Standard projection position</p> <p>Projected image height V</p> <p>Projected image width H</p> <p>$0.08H$ $0.08H$</p> <p>$0.25V$ $0.25V$</p> |

Lens shift ranges (continued)

ET-D3QT700 / ET-D3QT800



Note

- The home position of the projector a point of origin position for the lens shift (i.e., vertical and horizontal positions of the lens) based on the results of lens calibration. It is not the optical center position of the screen.

Specifications

Check the specifications of each projection lens, and use the appropriate lens for your intended use.

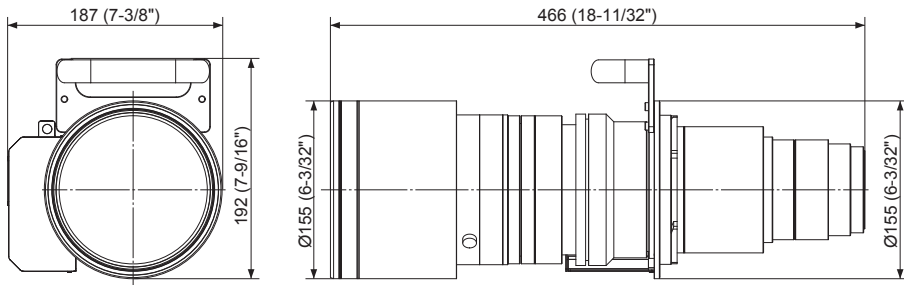
| Model No. | ET-D3QW300 | ET-D3QS400 | ET-D3QT500 |
|------------------|-------------------------------------|---|---|
| F value | 2.5 | 2.5 | 2.5 |
| Focal Length (f) | 35.2 mm (1-3/8") - 53.7 mm (2-1/8") | 45.3 mm (1-25/32") - 65.6 mm (2-19/32") | 61.4 mm (2-13/32") - 105.2 mm (4-5/32") |
| Dimensions | Width | 187 mm (7-3/8") | 198 mm (7-25/32") |
| | Height | 192 mm (7-9/16") | 203 mm (8") |
| | Depth | 466 mm (18-11/32") | 450 mm (17-23/32") |
| Net Weight | 9.3 kg (20.50 lb) | 8.5 kg (18.74 lb) | 9.6 kg (21.16 lb) |

| Model No. | ET-D3QT600 | ET-D3QT700 | ET-D3QT800 | |
|------------------|--|---|---|------------------|
| F value | 2.5 | 2.5 | 2.5 | |
| Focal Length (f) | 85.0 mm (3-11/32") - 121.6 mm (4-25/32") | 122.8 mm (4-27/32") - 172.3 mm (6-25/32") | 156.5 mm (6-5/32") - 243.1 mm (9-9/16") | |
| Dimensions | Width | 187 mm (7-3/8") | 187 mm (7-3/8") | |
| | Height | 192 mm (7-9/16") | 192 mm (7-9/16") | 192 mm (7-9/16") |
| | Depth | 370 mm (14-9/16") | 442 mm (17-13/32") | 486 mm (19-1/8") |
| Net Weight | 6.4 kg (14.11 lb) | 7.3 kg (16.09 lb) | 8.0 kg (17.64 lb) | |

Dimensions

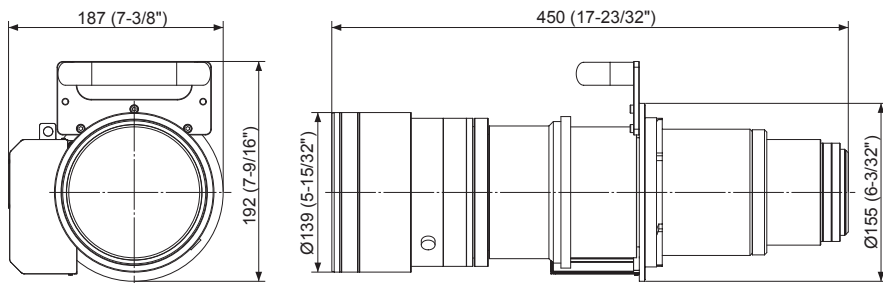
ET-D3QW300

(Unit: mm)



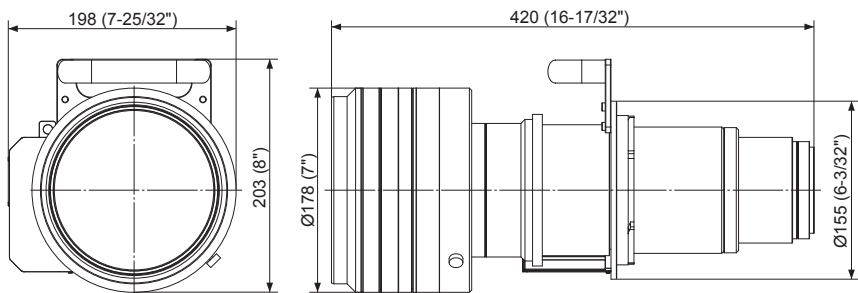
ET-D3QS400

(Unit: mm)



ET-D3QT500

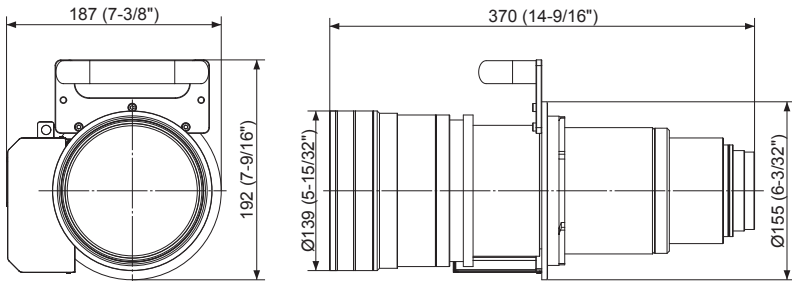
(Unit: mm)



Dimensions (continued)

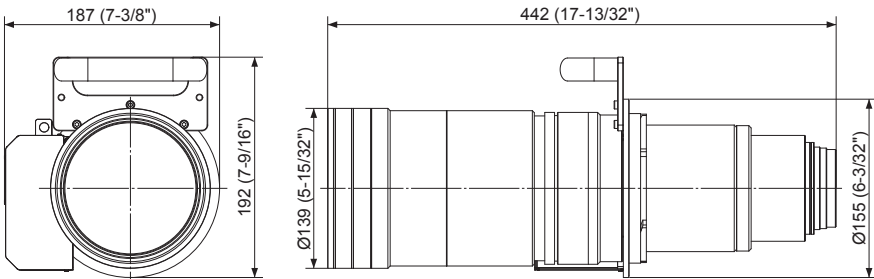
ET-D3QT600

(Unit: mm)



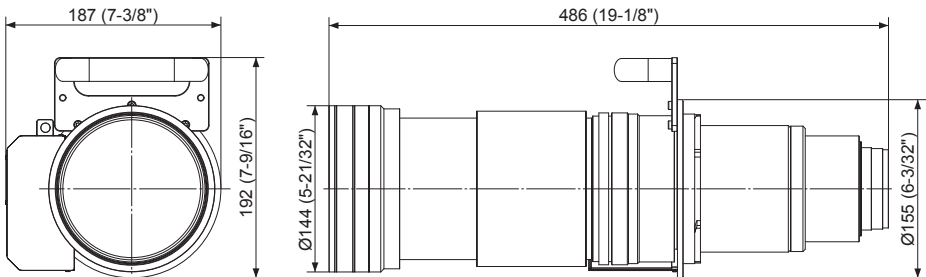
ET-D3QT700

(Unit: mm)



ET-D3QT800

(Unit: mm)



■ Indication of the manufacturer and the importer with EU Directive requirements

| | |
|-------------------------|---|
| <p>English</p> | <p>Manufactured by: Panasonic Projector & Display Corporation 2-15 Matsuba-cho, Kadoma City, Osaka 571-8503, Japan Importer: Panasonic Connect Europe GmbH Hagenauer Strasse 43, 65203 Wiesbaden, Germany Authorized Representative in EU: Panasonic Connect Europe GmbH Panasonic Testing Centre Winsbergring 15, 22525 Hamburg, Germany</p> |
| <p>Български</p> | <p>Производител: Panasonic Projector & Display Corporation 2-15 Matsuba-cho, Kadoma City, Osaka 571-8503, Япония Вносител: Panasonic Connect Europe GmbH Hagenauer Strasse 43, 65203 Wiesbaden, Германия Упълномощен представител в ЕС: Panasonic Connect Europe GmbH Panasonic Testing Centre Winsbergring 15, 22525 Hamburg, Германия</p> |
| <p>Čeština</p> | <p>Vyrobil: Panasonic Projector & Display Corporation 2-15 Matsuba-cho, Kadoma City, Osaka 571-8503, Japonsko Dovozce: Panasonic Connect Europe GmbH Hagenauer Strasse 43, 65203 Wiesbaden, Německo Oprávněný zástupce v EU: Panasonic Connect Europe GmbH Panasonic Testing Centre Winsbergring 15, 22525 Hamburg, Německo</p> |
| <p>Српски</p> | <p>Произведен од: Panasonic Projector & Display Corporation 2-15 Matsuba-cho, Kadoma City, Osaka 571-8503, Јапан Увозник: Panasonic Connect Europe GmbH Hagenauer Strasse 43, 65203 Wiesbaden, Немачка Овлашћени представник у ЕУ: Panasonic Connect Europe GmbH Panasonic Testing Centre Winsbergring 15, 22525 Hamburg, Немачка</p> |
| <p>Dansk</p> | <p>Fremstillet af: Panasonic Projector & Display Corporation 2-15 Matsuba-cho, Kadoma City, Osaka 571-8503, Japan Importer: Panasonic Connect Europe GmbH Hagenauer Strasse 43, 65203 Wiesbaden, Tyskland Autoriseret repræsentant i EU: Panasonic Connect Europe GmbH Panasonic Testing Centre Winsbergring 15, 22525 Hamburg, Tyskland</p> |
| <p>Deutsch</p> | <p>Hergestellt von: Panasonic Projector & Display Corporation 2-15 Matsuba-cho, Kadoma City, Osaka 571-8503, Japan Importeur: Panasonic Connect Europe GmbH Hagenauer Strasse 43, 65203 Wiesbaden, Deutschland Vertretungsberechtigter in der EU: Panasonic Connect Europe GmbH Panasonic Testing Centre Winsbergring 15, 22525 Hamburg, Deutschland</p> |
| <p>Eesti</p> | <p>Tootja: Panasonic Projector & Display Corporation 2-15 Matsuba-cho, Kadoma City, Osaka 571-8503, Jaapan Maaletooja: Panasonic Connect Europe GmbH Hagenauer Strasse 43, 65203 Wiesbaden, Saksamaa Volitatud esindaja ELis: Panasonic Connect Europe GmbH Panasonic Testing Centre Winsbergring 15, 22525 Hamburg, Saksamaa</p> |

| | |
|-----------|---|
| Ελληνικά | <p>Κατασκευάστηκε από: Panasonic Projector & Display Corporation 2-15 Matsuba-cho, Kadoma City, Osaka 571-8503, Ιαπωνία</p> <p>Εισαγωγέας: Panasonic Connect Europe GmbH Hagenauer Strasse 43, 65203 Wiesbaden, Γερμανία</p> <p>Εξουσιοδοτημένος αντιπρόσωπος στην ΕΕ: Panasonic Connect Europe GmbH Panasonic Testing Centre Winsbergring 15, 22525 Hamburg, Γερμανία</p> |
| Español | <p>Fabricado por: Panasonic Projector & Display Corporation 2-15 Matsuba-cho, Kadoma City, Osaka 571-8503, Japón</p> <p>Importador: Panasonic Connect Europe GmbH Hagenauer Strasse 43, 65203 Wiesbaden, Alemania</p> <p>Representante Autorizado para la UE: Panasonic Connect Europe GmbH Panasonic Testing Centre Winsbergring 15, 22525 Hamburgo, Alemania</p> |
| Français | <p>Fabriqué par : Panasonic Projector & Display Corporation 2-15 Matsuba-cho, Kadoma City, Osaka 571-8503, Japon</p> <p>Importateur : Panasonic Connect Europe GmbH Hagenauer Strasse 43, 65203 Wiesbaden, Allemagne</p> <p>Représentant autorisé dans l'UE : Panasonic Connect Europe GmbH Panasonic Testing Centre Winsbergring 15, 22525 Hambourg, Allemagne</p> |
| Gaeilge | <p>Arna dhéanamh ag : Panasonic Projector & Display Corporation 2-15 Matsuba-cho, Kadoma City, Osaka 571-8503, An tSeapáin</p> <p>Allmhaireoir : Panasonic Connect Europe GmbH Hagenauer Strasse 43, 65203 Wiesbaden, An Ghearmáin</p> <p>Ionadaí Údaraithe san AE : Panasonic Connect Europe GmbH Panasonic Testing Centre Winsbergring 15, 22525 Hamburg, An Ghearmáin</p> |
| Hrvatski | <p>Proizvodi: Panasonic Projector & Display Corporation 2-15 Matsuba-cho, Kadoma City, Osaka 571-8503, Japan</p> <p>Uvoznik: Panasonic Connect Europe GmbH Hagenauer Strasse 43, 65203 Wiesbaden, Njemačka</p> <p>Ovlašteni zastupnik u EU-u: Panasonic Connect Europe GmbH Panasonic Testing Centre Winsbergring 15, 22525 Hamburg, Njemačka</p> |
| Íslenskur | <p>Framleitt af: Panasonic Projector & Display Corporation 2-15 Matsuba-cho, Kadoma City, Osaka 571-8503, Japan</p> <p>Innflytjandi: Panasonic Connect Europe GmbH Hagenauer Strasse 43, 65203 Wiesbaden, Þýskalandi</p> <p>Viðurkenndur fulltrúi í ESB: Panasonic Connect Europe GmbH Panasonic Testing Centre Winsbergring 15, 22525 Hamburg, Þýskalandi</p> |
| Italiano | <p>Fabbricato da: Panasonic Projector & Display Corporation 2-15 Matsuba-cho, Kadoma City, Osaka 571-8503, Giappone</p> <p>Importatore: Panasonic Connect Europe GmbH Hagenauer Strasse 43, 65203 Wiesbaden, Germania</p> <p>Rappresentante autorizzato nell'UE: Panasonic Connect Europe GmbH Panasonic Testing Centre Winsbergring 15, 22525 Amburgo, Germania</p> |

| | |
|-------------------|---|
| Latviešu | <p>Ražotājs: Panasonic Projector & Display Corporation 2-15 Matsuba-cho, Kadoma City, Osaka 571-8503, Japāna</p> <p>Importētājs: Panasonic Connect Europe GmbH Hagenauer Strasse 43, 65203 Wiesbaden, Vācija</p> <p>Oficiālais pārstāvis ES: Panasonic Connect Europe GmbH Panasonic Testing Centre Winsbergring 15, 22525 Hamburg, Vācija</p> |
| Lietuvių | <p>Gamintojas: Panasonic Projector & Display Corporation 2-15 Matsuba-cho, Kadoma City, Osaka 571-8503, Japānija</p> <p>Importuotojas: Panasonic Connect Europe GmbH Hagenauer Strasse 43, 65203 Wiesbaden, Vokietija</p> <p>Igaliotasis atstovas ES: Panasonic Connect Europe GmbH Panasonic Testing Centre Winsbergring 15, 22525 Hamburgas, Vokietija</p> |
| Magyar | <p>Gyártotta: Panasonic Projector & Display Corporation 2-15 Matsuba-cho, Kadoma City, Osaka 571-8503, Japán</p> <p>Importőr: Panasonic Connect Europe GmbH Hagenauer Strasse 43, 65203 Wiesbaden, Németország</p> <p>Hivatalos képviselő az EU-ban: Panasonic Connect Europe GmbH Panasonic Testing Centre Winsbergring 15, 22525 Hamburg, Németország</p> |
| Malti | <p>Manifatturat minn: Panasonic Projector & Display Corporation 2-15 Matsuba-cho, Kadoma City, Osaka 571-8503, il-Gappun</p> <p>Importatur: Panasonic Connect Europe GmbH Hagenauer Strasse 43, 65203 Wiesbaden, il-Germanja</p> <p>Rappreżentant Awtorizzat fl-UE: Panasonic Connect Europe GmbH Panasonic Testing Centre Winsbergring 15, 22525 Hamburg, il-Germanja</p> |
| Nederlands | <p>Geproduceerd door: Panasonic Projector & Display Corporation 2-15 Matsuba-cho, Kadoma City, Osaka 571-8503, Japan</p> <p>Importeur: Panasonic Connect Europe GmbH Hagenauer Strasse 43, 65203 Wiesbaden, Duitsland</p> <p>Bevoegde vertegenwoordiger in de EU: Panasonic Connect Europe GmbH Panasonic Testing Centre Winsbergring 15, 22525 Hamburg, Duitsland</p> |
| Norsk | <p>Produsert av: Panasonic Projector & Display Corporation 2-15 Matsuba-cho, Kadoma City, Osaka 571-8503, Japan</p> <p>Importør: Panasonic Connect Europe GmbH Hagenauer Strasse 43, 65203 Wiesbaden, Tyskland</p> <p>Autorisert representant i EU: Panasonic Connect Europe GmbH Panasonic Testing Centre Winsbergring 15, 22525 Hamburg, Tyskland</p> |
| Polski | <p>Wyprodukowano przez: Panasonic Projector & Display Corporation 2-15 Matsuba-cho, Kadoma City, Osaka 571-8503, Japonia</p> <p>Importer: Panasonic Connect Europe GmbH Hagenauer Strasse 43, 65203 Wiesbaden, Niemcy</p> <p>Upoważniony przedstawiciel w UE: Panasonic Connect Europe GmbH Panasonic Testing Centre Winsbergring 15, 22525 Hamburg, Niemcy</p> |

| | |
|--------------------|--|
| Português | <p>Fabricado por: Panasonic Projector & Display Corporation 2-15 Matsuba-cho, Kadoma City, Osaka 571-8503, Japão</p> <p>Importador: Panasonic Connect Europe GmbH Hagenauer Strasse 43, 65203 Wiesbaden, Alemanha</p> <p>Representante Autorizado na UE: Panasonic Connect Europe GmbH Panasonic Testing Centre Winsbergring 15, 22525 Hamburgo, Alemanha</p> |
| Română | <p>Fabricat de: Panasonic Projector & Display Corporation 2-15 Matsuba-cho, Kadoma City, Osaka 571-8503, Japonia</p> <p>Importator: Panasonic Connect Europe GmbH Hagenauer Strasse 43, 65203 Wiesbaden, Germania</p> <p>Reprezentant autorizat în UE: Panasonic Connect Europe GmbH Panasonic Testing Centre Winsbergring 15, 22525 Hamburg, Germania</p> |
| Slovenčina | <p>Výrobca: Panasonic Projector & Display Corporation 2-15 Matsuba-cho, Kadoma City, Osaka 571-8503, Japonsko</p> <p>Dovozca: Panasonic Connect Europe GmbH Hagenauer Strasse 43, 65203 Wiesbaden, Nemecko</p> <p>Autorizovaný zástupca v EÚ: Panasonic Connect Europe GmbH Panasonic Testing Centre Winsbergring 15, 22525 Hamburg, Nemecko</p> |
| Slovenščina | <p>Proizvajaja: Panasonic Projector & Display Corporation 2-15 Matsuba-cho, Kadoma City, Osaka 571-8503, Japonska</p> <p>Uvoznik: Panasonic Connect Europe GmbH Hagenauer Strasse 43, 65203 Wiesbaden, Nemčija</p> <p>Pooblaščenji zastopnik v EU: Panasonic Connect Europe GmbH Panasonic Testing Centre Winsbergring 15, 22525 Hamburg, Nemčija</p> |
| Suomi | <p>Valmistaja: Panasonic Projector & Display Corporation 2-15 Matsuba-cho, Kadoma City, Osaka 571-8503, Japani</p> <p>Maahantuoja: Panasonic Connect Europe GmbH Hagenauer Strasse 43, 65203 Wiesbaden, Saksa</p> <p>Valtuutettu edustaja EU:ssa: Panasonic Connect Europe GmbH Panasonic Testing Centre Winsbergring 15, 22525 Hampuri, Saksa</p> |
| Svenska | <p>Tillverkad av: Panasonic Projector & Display Corporation 2-15 Matsuba-cho, Kadoma City, Osaka 571-8503, Japan</p> <p>Importör: Panasonic Connect Europe GmbH Hagenauer Strasse 43, 65203 Wiesbaden, Tyskland</p> <p>Auktoriserad representant i EU: Panasonic Connect Europe GmbH Panasonic Testing Centre Winsbergring 15, 22525 Hamburg, Tyskland</p> |
| Türkçe | <p>Tarafından Üretilmiştir: Panasonic Projector & Display Corporation 2-15 Matsuba-cho, Kadoma City, Osaka 571-8503, Japonya</p> <p>İthalatçı: Panasonic Connect Europe GmbH Hagenauer Strasse 43, 65203 Wiesbaden, Almanya</p> <p>AB Yetkili Temsilcisi: Panasonic Connect Europe GmbH Panasonic Testing Centre Winsbergring 15, 22525 Hamburg, Almanya</p> |

Manufactured by: Panasonic Projector & Display Corporation

2-15 Matsuba-cho, Kadoma City, Osaka 571-8503, Japan

Importer: Panasonic Connect Europe GmbH

Hagenauer Strasse 43, 65203 Wiesbaden, Germany

Authorized Representative in EU: Panasonic Connect Europe GmbH

Panasonic Testing Centre

Winsbergring 15, 22525 Hamburg, Germany

Importer for UK:

Panasonic Connect UK,

a branch of Panasonic Connect Europe GmbH,

Maxis 2, Western Road, Bracknell, Berkshire, RG12 1RT



Disposal of Old Equipment

Only for European Union and countries with recycling systems



This symbol on the products, packaging, and/or accompanying documents means that used electrical and electronic products must not be mixed with general household waste. For proper treatment, recovery and recycling of old products, please take them to applicable collection points in accordance with your national legislation.

By disposing of them correctly, you will help to save valuable resources and prevent any potential negative effects on human health and the environment.

For more information about collection and recycling, please contact your local authority.

Penalties may be applicable for incorrect disposal of this waste, in accordance with national legislation.

Product Information (for Turkey only)

AEEE Yönetmeliğine Uygundur.

Environment care information for users in China



This symbol is only valid in China.

Panasonic Projector & Display Corporation

Web Site : <https://docs.connect.panasonic.com/projector>

© Panasonic Projector & Display Corporation 2025

Panasonic Projector & Display Americas LLC

Two Riverfront Plaza, Newark, NJ 07102

TEL: +1-201-348-7000

HS1119AM2045 -PS

Printed in Japan

Appendix / Annexe / 付録

■ Projected image size and Projection distance
■ Taille de l'image projetée et istance de projection
■ 投写画面サイズと投写距離

- When the screen aspect ratio is 17:9
- Lorsque le rapport d' aspect de l'écran est 17:9
- アスペクト比 17:9

(Unit / Unités / 単位 : m)

| Lens model / Modèle d'objectif / 投写レンズ品番 | | | ET-D3QW300 | | ET-D3QS400 | | ET-D3QT500 | |
|---|--------|--------|---------------|-------|---------------|-------|---------------|--------|
| Throw ratio / Rapport de projection / スローレシオ | | | 1.11 - 1.70:1 | | 1.43 - 2.09:1 | | 2.00 - 3.41:1 | |
| SD | SH | SW | LW | LT | LW | LT | LW | LT |
| 2.54 (100") | 1.188 | 2.245 | 2.42 | 3.77 | 3.13 | 4.64 | 4.64 | 7.80 |
| 3.05 (120") | 1.426 | 2.694 | 2.93 | 4.55 | 3.79 | 5.59 | 5.51 | 9.31 |
| 3.81 (150") | 1.783 | 3.367 | 3.69 | 5.71 | 4.77 | 7.02 | 6.81 | 11.57 |
| 5.08 (200") | 2.377 | 4.490 | 4.95 | 7.65 | 6.40 | 9.40 | 8.97 | 15.33 |
| 6.35 (250") | 2.971 | 5.612 | 6.22 | 9.60 | 8.03 | 11.78 | 11.14 | 19.09 |
| 7.62 (300") | 3.565 | 6.734 | 7.49 | 11.54 | 9.66 | 14.17 | 13.31 | 22.85 |
| 8.89 (350") | 4.160 | 7.857 | 8.76 | 13.48 | 11.29 | 16.55 | 15.47 | 26.62 |
| 10.16 (400") | 4.754 | 8.979 | 10.03 | 15.42 | 12.92 | 18.93 | 17.64 | 30.38 |
| 12.70 (500") | 5.942 | 11.224 | 12.56 | 19.31 | 16.18 | 23.69 | 21.97 | 37.90 |
| 15.24 (600") | 7.131 | 13.469 | 15.10 | 23.19 | 19.44 | 28.45 | 26.31 | 45.43 |
| 17.78 (700") | 8.319 | 15.714 | 17.63 | 27.07 | 22.70 | 33.21 | 30.64 | 52.95 |
| 20.32 (800") | 9.507 | 17.959 | 20.17 | 30.96 | 25.97 | 37.98 | 34.97 | 60.48 |
| 22.86 (900") | 10.696 | 20.203 | 22.70 | 34.84 | 29.23 | 42.74 | 39.31 | 68.00 |
| 25.40 (1000") | 11.884 | 22.448 | 25.24 | 38.73 | 32.49 | 47.50 | 43.64 | 75.53 |
| 27.94 (1100") | 13.073 | 24.693 | 27.77 | 42.61 | 35.75 | 52.26 | 47.97 | 83.05 |
| 30.48 (1200") | 14.261 | 26.938 | 30.31 | 46.49 | 39.01 | 57.02 | 52.31 | 90.58 |
| 33.02 (1300") | 15.450 | 29.183 | 32.84 | 50.38 | 42.27 | 61.79 | 56.64 | 98.10 |
| 35.56 (1400") | 16.638 | 31.427 | 35.38 | 54.26 | 45.53 | 66.55 | 60.97 | 105.63 |
| 38.10 (1500") | 17.827 | 33.672 | 37.91 | 58.15 | 48.80 | 71.31 | 65.31 | 113.16 |

| Lens model / Modèle d'objectif / 投写レンズ品番 | | | ET-D3QT600 | | ET-D3QT700 | | ET-D3QT800 | |
|---|--------|--------|---------------|--------|---------------|--------|---------------|--------|
| Throw ratio / Rapport de projection / スローレシオ | | | 2.69 - 3.88:1 | | 3.89 - 5.47:1 | | 4.97 - 7.76:1 | |
| SD | SH | SW | LW | LT | LW | LT | LW | LT |
| 2.54 (100") | 1.188 | 2.245 | 5.92 | 8.57 | 8.57 | 12.09 | 10.97 | 17.22 |
| 3.05 (120") | 1.426 | 2.694 | 7.15 | 10.34 | 10.34 | 14.59 | 13.23 | 20.75 |
| 3.81 (150") | 1.783 | 3.367 | 8.99 | 12.99 | 12.99 | 18.33 | 16.62 | 26.05 |
| 5.08 (200") | 2.377 | 4.490 | 12.06 | 17.42 | 17.42 | 24.57 | 22.27 | 34.88 |
| 6.35 (250") | 2.971 | 5.612 | 15.14 | 21.85 | 21.85 | 30.81 | 27.92 | 43.71 |
| 7.62 (300") | 3.565 | 6.734 | 18.21 | 26.28 | 26.28 | 37.04 | 33.57 | 52.54 |
| 8.89 (350") | 4.160 | 7.857 | 21.28 | 30.71 | 30.71 | 43.28 | 39.23 | 61.37 |
| 10.16 (400") | 4.754 | 8.979 | 24.35 | 35.14 | 35.14 | 49.52 | 44.88 | 70.20 |
| 12.70 (500") | 5.942 | 11.224 | 30.49 | 44.00 | 43.99 | 62.00 | 56.18 | 87.85 |
| 15.24 (600") | 7.131 | 13.469 | 36.64 | 52.85 | 52.85 | 74.47 | 67.48 | 105.51 |
| 17.78 (700") | 8.319 | 15.714 | 42.78 | 61.71 | 61.71 | 86.95 | 78.78 | 123.17 |
| 20.32 (800") | 9.507 | 17.959 | 48.92 | 70.57 | 70.57 | 99.43 | 90.09 | 140.83 |
| 22.86 (900") | 10.696 | 20.203 | 55.07 | 79.42 | 79.42 | 111.90 | 101.39 | 158.49 |
| 25.40 (1000") | 11.884 | 22.448 | 61.21 | 88.28 | 88.28 | 124.38 | 112.69 | 176.15 |
| 27.94 (1100") | 13.073 | 24.693 | 67.36 | 97.14 | 97.14 | 136.86 | 123.99 | 193.81 |
| 30.48 (1200") | 14.261 | 26.938 | 73.50 | 106.00 | 106.00 | 149.33 | 135.30 | 211.47 |
| 33.02 (1300") | 15.450 | 29.183 | 79.64 | 114.85 | 114.85 | 161.81 | 146.60 | 229.13 |
| 35.56 (1400") | 16.638 | 31.427 | 85.79 | 123.71 | 123.71 | 174.29 | 157.90 | 246.79 |
| 38.10 (1500") | 17.827 | 33.672 | 91.93 | 132.57 | 132.57 | 186.76 | 169.20 | 264.44 |

Appendix / Annexe / 付録 (continued / suite / つづき)

- When the screen aspect ratio is 16:10
- Lorsque le rapport d'aspect de l'écran est 16:10
- アスペクト比 16:10

(Unit / Unités / 単位 : m)

| Lens model / Modèle d'objectif / 投写レンズ品番 | | | ET-D3QW300 | | ET-D3QS400 | | ET-D3QT500 | |
|---|--------|--------|---------------|-------|---------------|-------|---------------|--------|
| Throw ratio / Rapport de projection / スローレシオ | | | 1.32 - 2.02:1 | | 1.70 - 2.48:1 | | 2.36 - 4.03:1 | |
| SD | SH | SW | LW | LT | LW | LT | LW | LT |
| 2.54 (100") | 1.346 | 2.154 | 2.76 | 4.30 | 3.58 | 5.29 | 5.23 | 8.83 |
| 3.05 (120") | 1.615 | 2.585 | 3.34 | 5.18 | 4.32 | 6.37 | 6.22 | 10.54 |
| 3.81 (150") | 2.019 | 3.231 | 4.21 | 6.51 | 5.43 | 8.00 | 7.69 | 13.10 |
| 5.08 (200") | 2.692 | 4.308 | 5.65 | 8.71 | 7.28 | 10.70 | 10.15 | 17.38 |
| 6.35 (250") | 3.365 | 5.385 | 7.09 | 10.92 | 9.14 | 13.41 | 12.62 | 21.65 |
| 7.62 (300") | 4.039 | 6.462 | 8.53 | 13.12 | 10.99 | 16.11 | 15.08 | 25.93 |
| 8.89 (350") | 4.712 | 7.539 | 9.97 | 15.33 | 12.84 | 18.82 | 17.54 | 30.20 |
| 10.16 (400") | 5.385 | 8.616 | 11.41 | 17.54 | 14.70 | 21.52 | 20.00 | 34.48 |
| 12.70 (500") | 6.731 | 10.770 | 14.29 | 21.95 | 18.40 | 26.93 | 24.93 | 43.03 |
| 15.24 (600") | 8.077 | 12.923 | 17.17 | 26.36 | 22.11 | 32.34 | 29.85 | 51.58 |
| 17.78 (700") | 9.423 | 15.077 | 20.05 | 30.78 | 25.81 | 37.75 | 34.77 | 60.13 |
| 20.32 (800") | 10.770 | 17.231 | 22.93 | 35.19 | 29.52 | 43.16 | 39.70 | 68.68 |
| 22.86 (900") | 12.116 | 19.385 | 25.81 | 39.60 | 33.23 | 48.58 | 44.62 | 77.23 |
| 25.40 (1000") | 13.462 | 21.539 | 28.69 | 44.02 | 36.93 | 53.99 | 49.54 | 85.78 |
| 27.94 (1100") | 14.808 | 23.693 | 31.57 | 48.43 | 40.64 | 59.40 | 54.47 | 94.33 |
| 30.48 (1200") | 16.154 | 25.847 | 34.45 | 52.84 | 44.34 | 64.81 | 59.39 | 102.88 |
| 33.02 (1300") | 17.501 | 28.001 | 37.33 | 57.26 | 48.05 | 70.22 | 64.31 | 111.43 |
| 35.56 (1400") | 18.847 | 30.155 | 40.21 | 61.67 | 51.75 | 75.63 | 69.24 | 119.98 |
| 38.10 (1500") | 20.193 | 32.309 | 43.09 | 66.08 | 55.46 | 81.04 | 74.16 | 128.53 |

| Lens model / Modèle d'objectif / 投写レンズ品番 | | | ET-D3QT600 | | ET-D3QT700 | | ET-D3QT800 | |
|---|--------|--------|---------------|--------|---------------|--------|---------------|--------|
| Throw ratio / Rapport de projection / スローレシオ | | | 3.19 - 4.60:1 | | 4.61 - 6.49:1 | | 5.89 - 9.21:1 | |
| SD | SH | SW | LW | LT | LW | LT | LW | LT |
| 2.54 (100") | 1.346 | 2.154 | 6.76 | 9.77 | 9.77 | 13.79 | 12.51 | 19.62 |
| 3.05 (120") | 1.615 | 2.585 | 8.15 | 11.79 | 11.78 | 16.63 | 15.08 | 23.64 |
| 3.81 (150") | 2.019 | 3.231 | 10.25 | 14.80 | 14.80 | 20.88 | 18.93 | 29.66 |
| 5.08 (200") | 2.692 | 4.308 | 13.74 | 19.84 | 19.84 | 27.97 | 25.35 | 39.69 |
| 6.35 (250") | 3.365 | 5.385 | 17.23 | 24.87 | 24.87 | 35.05 | 31.77 | 49.72 |
| 7.62 (300") | 4.039 | 6.462 | 20.72 | 29.90 | 29.90 | 42.14 | 38.19 | 59.75 |
| 8.89 (350") | 4.712 | 7.539 | 24.21 | 34.93 | 34.93 | 49.23 | 44.61 | 69.79 |
| 10.16 (400") | 5.385 | 8.616 | 27.70 | 39.96 | 39.96 | 56.32 | 51.03 | 79.82 |
| 12.70 (500") | 6.731 | 10.770 | 34.68 | 50.03 | 50.03 | 70.50 | 63.88 | 99.88 |
| 15.24 (600") | 8.077 | 12.923 | 41.66 | 60.09 | 60.09 | 84.67 | 76.72 | 119.95 |
| 17.78 (700") | 9.423 | 15.077 | 48.64 | 70.16 | 70.15 | 98.85 | 89.56 | 140.01 |
| 20.32 (800") | 10.770 | 17.231 | 55.62 | 80.22 | 80.22 | 113.02 | 102.40 | 160.08 |
| 22.86 (900") | 12.116 | 19.385 | 62.60 | 90.28 | 90.28 | 127.20 | 115.24 | 180.14 |
| 25.40 (1000") | 13.462 | 21.539 | 69.58 | 100.35 | 100.35 | 141.38 | 128.09 | 200.20 |
| 27.94 (1100") | 14.808 | 23.693 | 76.56 | 110.41 | 110.41 | 155.55 | 140.93 | 220.27 |
| 30.48 (1200") | 16.154 | 25.847 | 83.54 | 120.47 | 120.47 | 169.73 | 153.77 | 240.33 |
| 33.02 (1300") | 17.501 | 28.001 | 90.52 | 130.54 | 130.54 | 183.91 | 166.61 | 260.40 |
| 35.56 (1400") | 18.847 | 30.155 | 97.50 | 140.60 | 140.60 | 198.08 | 179.45 | 280.46 |
| 38.10 (1500") | 20.193 | 32.309 | 104.48 | 150.67 | 150.67 | 212.26 | 192.30 | 300.53 |

Appendix / Annexe / 付録 (continued / suite / つづき)

- When the screen aspect ratio is 16:9
- Lorsque le rapport d'aspect de l'écran est 16:9
- アスペクト比 16:9

(Unit / Unités / 単位 : m)

| Lens model / Modèle d'objectif / 投写レンズ品番 | | | ET-D3QW300 | | ET-D3QS400 | | ET-D3QT500 | |
|---|--------|--------|---------------|-------|---------------|-------|---------------|--------|
| Throw ratio / Rapport de projection / スローレシオ | | | 1.18 - 1.81:1 | | 1.52 - 2.23:1 | | 2.13 - 3.63:1 | |
| SD | SH | SW | LW | LT | LW | LT | LW | LT |
| 2.54 (100") | 1.245 | 2.214 | 2.55 | 3.97 | 3.30 | 4.88 | 4.86 | 8.19 |
| 3.05 (120") | 1.494 | 2.657 | 3.08 | 4.78 | 3.99 | 5.89 | 5.77 | 9.77 |
| 3.81 (150") | 1.868 | 3.321 | 3.88 | 6.01 | 5.02 | 7.39 | 7.14 | 12.14 |
| 5.08 (200") | 2.491 | 4.428 | 5.21 | 8.05 | 6.73 | 9.89 | 9.42 | 16.10 |
| 6.35 (250") | 3.113 | 5.535 | 6.55 | 10.09 | 8.44 | 12.39 | 11.69 | 20.05 |
| 7.62 (300") | 3.736 | 6.641 | 7.88 | 12.13 | 10.16 | 14.89 | 13.97 | 24.00 |
| 8.89 (350") | 4.358 | 7.748 | 9.21 | 14.17 | 11.87 | 17.40 | 16.25 | 27.96 |
| 10.16 (400") | 4.981 | 8.855 | 10.54 | 16.21 | 13.59 | 19.90 | 18.52 | 31.91 |
| 12.70 (500") | 6.226 | 11.069 | 13.21 | 20.30 | 17.01 | 24.90 | 23.08 | 39.82 |
| 15.24 (600") | 7.472 | 13.283 | 15.87 | 24.38 | 20.44 | 29.91 | 27.63 | 47.73 |
| 17.78 (700") | 8.717 | 15.497 | 18.54 | 28.46 | 23.87 | 34.91 | 32.19 | 55.64 |
| 20.32 (800") | 9.962 | 17.710 | 21.20 | 32.54 | 27.30 | 39.92 | 36.74 | 63.55 |
| 22.86 (900") | 11.207 | 19.924 | 23.87 | 36.63 | 30.72 | 44.92 | 41.30 | 71.46 |
| 25.40 (1000") | 12.453 | 22.138 | 26.53 | 40.71 | 34.15 | 49.93 | 45.85 | 79.37 |
| 27.94 (1100") | 13.698 | 24.352 | 29.19 | 44.79 | 37.58 | 54.93 | 50.41 | 87.28 |
| 30.48 (1200") | 14.943 | 26.566 | 31.86 | 48.87 | 41.01 | 59.94 | 54.96 | 95.19 |
| 33.02 (1300") | 16.188 | 28.779 | 34.52 | 52.95 | 44.44 | 64.94 | 59.51 | 103.10 |
| 35.56 (1400") | 17.434 | 30.993 | 37.19 | 57.04 | 47.86 | 69.95 | 64.07 | 111.01 |
| 38.10 (1500") | 18.679 | 33.207 | 39.85 | 61.12 | 51.29 | 74.95 | 68.62 | 118.92 |

| Lens model / Modèle d'objectif / 投写レンズ品番 | | | ET-D3QT600 | | ET-D3QT700 | | ET-D3QT800 | |
|---|--------|--------|---------------|--------|---------------|--------|---------------|--------|
| Throw ratio / Rapport de projection / スローレシオ | | | 2.87 - 4.13:1 | | 4.14 - 5.83:1 | | 5.30 - 8.28:1 | |
| SD | SH | SW | LW | LT | LW | LT | LW | LT |
| 2.54 (100") | 1.245 | 2.214 | 6.23 | 9.02 | 9.02 | 12.73 | 11.55 | 18.12 |
| 3.05 (120") | 1.494 | 2.657 | 7.52 | 10.88 | 10.88 | 15.35 | 13.92 | 21.83 |
| 3.81 (150") | 1.868 | 3.321 | 9.46 | 13.67 | 13.67 | 19.28 | 17.49 | 27.40 |
| 5.08 (200") | 2.491 | 4.428 | 12.69 | 18.33 | 18.33 | 25.84 | 23.43 | 36.68 |
| 6.35 (250") | 3.113 | 5.535 | 15.92 | 22.98 | 22.98 | 32.40 | 29.36 | 45.96 |
| 7.62 (300") | 3.736 | 6.641 | 19.15 | 27.64 | 27.64 | 38.95 | 35.30 | 55.24 |
| 8.89 (350") | 4.358 | 7.748 | 22.38 | 32.29 | 32.29 | 45.51 | 41.24 | 64.52 |
| 10.16 (400") | 4.981 | 8.855 | 25.60 | 36.95 | 36.94 | 52.07 | 47.18 | 73.80 |
| 12.70 (500") | 6.226 | 11.069 | 32.06 | 46.25 | 46.25 | 65.18 | 59.06 | 92.36 |
| 15.24 (600") | 7.472 | 13.283 | 38.52 | 55.56 | 55.56 | 78.29 | 70.94 | 110.92 |
| 17.78 (700") | 8.717 | 15.497 | 44.98 | 64.87 | 64.87 | 91.41 | 82.82 | 129.48 |
| 20.32 (800") | 9.962 | 17.710 | 51.43 | 74.18 | 74.18 | 104.52 | 94.70 | 148.04 |
| 22.86 (900") | 11.207 | 19.924 | 57.89 | 83.49 | 83.49 | 117.63 | 106.58 | 166.60 |
| 25.40 (1000") | 12.453 | 22.138 | 64.35 | 92.80 | 92.80 | 130.75 | 118.46 | 185.16 |
| 27.94 (1100") | 13.698 | 24.352 | 70.80 | 102.11 | 102.11 | 143.86 | 130.34 | 203.72 |
| 30.48 (1200") | 14.943 | 26.566 | 77.26 | 111.42 | 111.42 | 156.97 | 142.22 | 222.28 |
| 33.02 (1300") | 16.188 | 28.779 | 83.72 | 120.73 | 120.73 | 170.09 | 154.10 | 240.84 |
| 35.56 (1400") | 17.434 | 30.993 | 90.17 | 130.04 | 130.04 | 183.20 | 165.97 | 259.40 |
| 38.10 (1500") | 18.679 | 33.207 | 96.63 | 139.35 | 139.35 | 196.31 | 177.85 | 277.96 |

Appendix / Annexe / 付録 (continued / suite / つづき)

- When the screen aspect ratio is 4:3
- Lorsque le rapport d'aspect de l'écran est 4:3
- アスペクト比 4:3

(Unit / Unités / 単位 : m)

| Lens model / Modèle d'objectif / 投写レンズ品番 | | | ET-D3QW300 | | ET-D3QS400 | | ET-D3QT500 | |
|---|--------|--------|---------------|-------|---------------|-------|---------------|--------|
| Throw ratio / Rapport de projection / スローレシオ | | | 1.58 - 2.43:1 | | 2.04 - 2.98:1 | | 2.82 - 4.83:1 | |
| SD | SH | SW | LW | LT | LW | LT | LW | LT |
| 2.54 (100") | 1.524 | 2.032 | 3.15 | 4.88 | 4.07 | 6.00 | 5.88 | 9.96 |
| 3.05 (120") | 1.829 | 2.438 | 3.80 | 5.88 | 4.91 | 7.23 | 7.00 | 11.89 |
| 3.81 (150") | 2.286 | 3.048 | 4.78 | 7.38 | 6.17 | 9.07 | 8.67 | 14.80 |
| 5.08 (200") | 3.048 | 4.064 | 6.41 | 9.88 | 8.26 | 12.13 | 11.45 | 19.64 |
| 6.35 (250") | 3.810 | 5.080 | 8.04 | 12.38 | 10.36 | 15.19 | 14.24 | 24.48 |
| 7.62 (300") | 4.572 | 6.096 | 9.67 | 14.87 | 12.46 | 18.26 | 17.03 | 29.32 |
| 8.89 (350") | 5.334 | 7.112 | 11.30 | 17.37 | 14.56 | 21.32 | 19.82 | 34.16 |
| 10.16 (400") | 6.096 | 8.128 | 12.93 | 19.87 | 16.65 | 24.38 | 22.60 | 39.00 |
| 12.70 (500") | 7.620 | 10.160 | 16.19 | 24.87 | 20.85 | 30.51 | 28.18 | 48.68 |
| 15.24 (600") | 9.144 | 12.192 | 19.45 | 29.86 | 25.04 | 36.63 | 33.75 | 58.35 |
| 17.78 (700") | 10.668 | 14.224 | 22.71 | 34.86 | 29.24 | 42.76 | 39.32 | 68.03 |
| 20.32 (800") | 12.192 | 16.256 | 25.97 | 39.85 | 33.44 | 48.88 | 44.90 | 77.71 |
| 22.86 (900") | 13.716 | 18.288 | 29.23 | 44.85 | 37.63 | 55.01 | 50.47 | 87.39 |
| 25.40 (1000") | 15.240 | 20.320 | 32.49 | 49.85 | 41.83 | 61.13 | 56.05 | 97.07 |
| 27.94 (1100") | 16.764 | 22.352 | 35.76 | 54.84 | 46.02 | 67.26 | 61.62 | 106.75 |
| 30.48 (1200") | 18.288 | 24.384 | 39.02 | 59.84 | 50.22 | 73.38 | 67.19 | 116.43 |
| 33.02 (1300") | 19.812 | 26.416 | 42.28 | 64.83 | 54.41 | 79.51 | 72.77 | 126.11 |
| 35.56 (1400") | 21.336 | 28.448 | 45.54 | 69.83 | 58.61 | 85.63 | 78.34 | 135.79 |
| 38.10 (1500") | 22.860 | 30.480 | 48.80 | 74.82 | 62.80 | 91.76 | 83.92 | 145.47 |

| Lens model / Modèle d'objectif / 投写レンズ品番 | | | ET-D3QT600 | | ET-D3QT700 | | ET-D3QT800 | |
|---|--------|--------|---------------|--------|---------------|--------|----------------|--------|
| Throw ratio / Rapport de projection / スローレシオ | | | 3.84 - 5.53:1 | | 5.54 - 7.80:1 | | 7.06 - 11.06:1 | |
| SD | SH | SW | LW | LT | LW | LT | LW | LT |
| 2.54 (100") | 1.524 | 2.032 | 7.68 | 11.10 | 11.10 | 15.66 | 14.15 | 22.27 |
| 3.05 (120") | 1.829 | 2.438 | 9.26 | 13.38 | 13.38 | 18.87 | 17.06 | 26.82 |
| 3.81 (150") | 2.286 | 3.048 | 11.63 | 16.80 | 16.80 | 23.69 | 21.42 | 33.63 |
| 5.08 (200") | 3.048 | 4.064 | 15.58 | 22.49 | 22.49 | 31.71 | 28.69 | 44.99 |
| 6.35 (250") | 3.810 | 5.080 | 19.53 | 28.19 | 28.19 | 39.74 | 35.96 | 56.35 |
| 7.62 (300") | 4.572 | 6.096 | 23.48 | 33.89 | 33.89 | 47.76 | 43.23 | 67.70 |
| 8.89 (350") | 5.334 | 7.112 | 27.43 | 39.58 | 39.58 | 55.78 | 50.50 | 79.06 |
| 10.16 (400") | 6.096 | 8.128 | 31.39 | 45.28 | 45.28 | 63.81 | 57.77 | 90.42 |
| 12.70 (500") | 7.620 | 10.160 | 39.29 | 56.67 | 56.67 | 79.86 | 72.30 | 113.13 |
| 15.24 (600") | 9.144 | 12.192 | 47.19 | 68.07 | 68.07 | 95.91 | 86.84 | 135.85 |
| 17.78 (700") | 10.668 | 14.224 | 55.09 | 79.46 | 79.46 | 111.95 | 101.38 | 158.56 |
| 20.32 (800") | 12.192 | 16.256 | 63.00 | 90.85 | 90.85 | 128.00 | 115.92 | 181.28 |
| 22.86 (900") | 13.716 | 18.288 | 70.90 | 102.25 | 102.25 | 144.05 | 130.46 | 203.99 |
| 25.40 (1000") | 15.240 | 20.320 | 78.80 | 113.64 | 113.64 | 160.10 | 145.00 | 226.70 |
| 27.94 (1100") | 16.764 | 22.352 | 86.70 | 125.03 | 125.03 | 176.15 | 159.53 | 249.42 |
| 30.48 (1200") | 18.288 | 24.384 | 94.60 | 136.43 | 136.42 | 192.20 | 174.07 | 272.13 |
| 33.02 (1300") | 19.812 | 26.416 | 102.51 | 147.82 | 147.82 | 208.25 | 188.61 | 294.85 |
| 35.56 (1400") | 21.336 | 28.448 | 110.41 | 159.21 | 159.21 | 224.29 | 203.15 | 317.56 |
| 38.10 (1500") | 22.860 | 30.480 | 118.31 | 170.60 | 170.60 | 240.34 | 217.69 | 340.28 |

Note

- A ± 5 % error in listed projection distances may occur.
In addition, when [KEYSTONE] is used, distance is corrected to become smaller than the specified screen size.
- The throw ratio is based on the value during projection with the projected image size of 5.08 m (200").
- The periods used in the numbers in the tables are decimal points.

Remarque

- Une erreur de ± 5 % dans des distances de projection énumérées peut se produire.
En outre, lorsque [CORRECTION DE TRAPÈZE] est utilisé, la distance est corrigée pour devenir inférieure à la taille d'écran spécifiée.
- Le rapport de projection est basé sur la valeur en cours de projection avec une taille de l'image projetée de 5,08 m (200").
- Les points utilisés dans les nombres dans les tableaux sont des points décimaux.

お知らせ

- 記載の投写距離は $\pm 5\%$ 以下の範囲内で誤差が発生します。
また、[台形補正] 使用時は、所定の画面サイズよりも小さくなる方向で補正されます。
- スローレシオは、投写画面サイズ 200 型投写時の値を基準にしています。

Setting-up dimensions which are not given in the above table can be calculated using the formulas below. Check the projected image size SD (m) and use the following formula to determine projection distance (L).

La configuration des dimensions qui ne sont pas données dans le tableau ci-dessus peut être calculée à l'aide des formules suivantes. Vérifiez la taille de l'image projetée SD (m) et utilisez la formule suivante pour déterminer la distance de projection (L).

上記の表以外の投写寸法は次の計算式で求めることができます。画面対角サイズ SD (m) をご確認のうえ、それぞれの計算式で投写距離 (L) を求めてください。

Appendix / Annexe / 付録 (continued / suite / つづき)

- Projection distance formulas
- Formules de distance de projection
- 投写距離計算式

The dimensions of the following table contain a slight error.

Periods are used to represent decimal points in the calculation formulas in the following table.

Les dimensions du tableau suivant peuvent présenter un léger écart.

Les points sont utilisés pour indiquer les décimales dans les formules de calcul dans le tableau suivant.

次の表内の寸法は若干の誤差があります。

(Unit / Unités / 単位 : m)

| | | L | |
|------------|---|-----------------------|-----------------------|
| | | LW | LT |
| ET-D3QW300 | When the screen aspect ratio is 17:9 Lorsque le rapport d'aspect de l'écran est 17:9 画面アスペクト比 17:9 のとき | =0.9981 × SD - 0.1156 | =1.5291 × SD - 0.1143 |
| | When the screen aspect ratio is 16:10 Lorsque le rapport d'aspect de l'écran est 16:10 画面アスペクト比 16:10 のとき | =1.1341 × SD - 0.1156 | =1.7374 × SD - 0.1143 |
| | When the screen aspect ratio is 16:9 Lorsque le rapport d'aspect de l'écran est 16:9 画面アスペクト比 16:9 のとき | =1.0490 × SD - 0.1156 | =1.6072 × SD - 0.1143 |
| | When the screen aspect ratio is 4:3 Lorsque le rapport d'aspect de l'écran est 4:3 画面アスペクト比 4:3 のとき | =1.2839 × SD - 0.1156 | =1.9669 × SD - 0.1143 |
| ET-D3QS400 | When the screen aspect ratio is 17:9 Lorsque le rapport d'aspect de l'écran est 17:9 画面アスペクト比 17:9 のとき | =1.2841 × SD - 0.1267 | =1.8748 × SD - 0.1207 |
| | When the screen aspect ratio is 16:10 Lorsque le rapport d'aspect de l'écran est 16:10 画面アスペクト比 16:10 のとき | =1.4590 × SD - 0.1267 | =2.1302 × SD - 0.1207 |
| | When the screen aspect ratio is 16:9 Lorsque le rapport d'aspect de l'écran est 16:9 画面アスペクト比 16:9 のとき | =1.3496 × SD - 0.1267 | =1.9705 × SD - 0.1207 |
| | When the screen aspect ratio is 4:3 Lorsque le rapport d'aspect de l'écran est 4:3 画面アスペクト比 4:3 のとき | =1.6517 × SD - 0.1267 | =2.4115 × SD - 0.1207 |
| ET-D3QT500 | When the screen aspect ratio is 17:9 Lorsque le rapport d'aspect de l'écran est 17:9 画面アスペクト比 17:9 のとき | =1.7060 × SD + 0.3072 | =2.9627 × SD + 0.2772 |
| | When the screen aspect ratio is 16:10 Lorsque le rapport d'aspect de l'écran est 16:10 画面アスペクト比 16:10 のとき | =1.9384 × SD + 0.3072 | =3.3663 × SD + 0.2772 |
| | When the screen aspect ratio is 16:9 Lorsque le rapport d'aspect de l'écran est 16:9 画面アスペクト比 16:9 のとき | =1.7931 × SD + 0.3072 | =3.1139 × SD + 0.2772 |
| | When the screen aspect ratio is 4:3 Lorsque le rapport d'aspect de l'écran est 4:3 画面アスペクト比 4:3 のとき | =2.1944 × SD + 0.3072 | =3.8109 × SD + 0.2772 |

Appendix / Annexe / 付録 (continued / suite / つづき)

(Unit / Unités / 単位 : m)

| | | L | |
|------------|--|-----------------------|-----------------------|
| | | LW | LT |
| ET-D3QT600 | When the screen aspect ratio is 17:9 Lorsque le rapport d' aspect de l'écran est 17:9 画面アスペクト比 17:9 のとき | =2.4187 × SD - 0.2235 | =3.4871 × SD - 0.2915 |
| | When the screen aspect ratio is 16:10 Lorsque le rapport d' aspect de l'écran est 16:10 画面アスペクト比 16:10 のとき | =2.7482 × SD - 0.2235 | =3.9621 × SD - 0.2915 |
| | When the screen aspect ratio is 16:9 Lorsque le rapport d' aspect de l'écran est 16:9 画面アスペクト比 16:9 のとき | =2.5421 × SD - 0.2235 | =3.6651 × SD - 0.2915 |
| | When the screen aspect ratio is 4:3 Lorsque le rapport d' aspect de l'écran est 4:3 画面アスペクト比 4:3 のとき | =3.1111 × SD - 0.2235 | =4.4855 × SD - 0.2915 |
| ET-D3QT700 | When the screen aspect ratio is 17:9 Lorsque le rapport d' aspect de l'écran est 17:9 画面アスペクト比 17:9 のとき | =3.4871 × SD - 0.2923 | =4.9121 × SD - 0.3863 |
| | When the screen aspect ratio is 16:10 Lorsque le rapport d' aspect de l'écran est 16:10 画面アスペクト比 16:10 のとき | =3.9621 × SD - 0.2923 | =5.5812 × SD - 0.3863 |
| | When the screen aspect ratio is 16:9 Lorsque le rapport d' aspect de l'écran est 16:9 画面アスペクト比 16:9 のとき | =3.6651 × SD - 0.2923 | =5.1627 × SD - 0.3863 |
| | When the screen aspect ratio is 4:3 Lorsque le rapport d' aspect de l'écran est 4:3 画面アスペクト比 4:3 のとき | =4.4855 × SD - 0.2923 | =6.3184 × SD - 0.3863 |
| ET-D3QT800 | When the screen aspect ratio is 17:9 Lorsque le rapport d' aspect de l'écran est 17:9 画面アスペクト比 17:9 のとき | =4.4498 × SD - 0.3333 | =6.9524 × SD - 0.4407 |
| | When the screen aspect ratio is 16:10 Lorsque le rapport d' aspect de l'écran est 16:10 画面アスペクト比 16:10 のとき | =5.0559 × SD - 0.3333 | =7.8994 × SD - 0.4407 |
| | When the screen aspect ratio is 16:9 Lorsque le rapport d' aspect de l'écran est 16:9 画面アスペクト比 16:9 のとき | =4.6768 × SD - 0.3333 | =7.3071 × SD - 0.4407 |
| | When the screen aspect ratio is 4:3 Lorsque le rapport d' aspect de l'écran est 4:3 画面アスペクト比 4:3 のとき | =5.7237 × SD - 0.3333 | =8.9427 × SD - 0.4407 |

Panasonic Projector & Display Corporation

Web Site : <https://docs.connect.panasonic.com/projector>

Panasonic Projector & Display Americas LLC

Two Riverfront Plaza, Newark, NJ 07102

TEL: +1-201-348-7000

パナソニック プロジェクター & ディスプレイ株式会社

〒 571-8503 大阪府門真市松葉町 2 番 15 号 電話 ☎ 0120-872-601